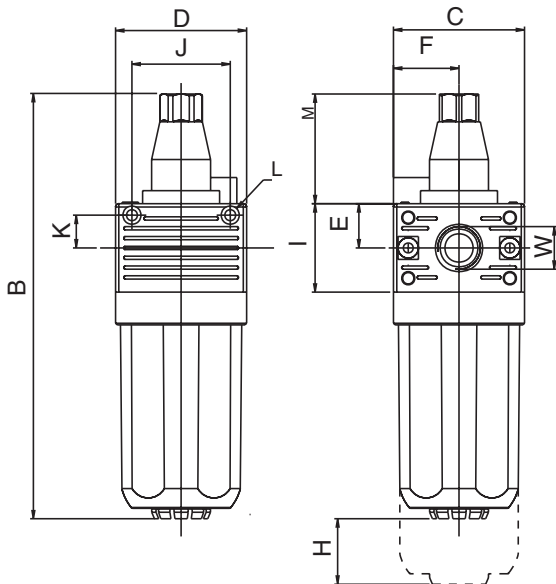


# Mini Lubricators

3.6

page 7



## Main features

Direct-proportional lubricator, recommended types of oil: Mineral oils of viscosity class VG 22 a (ISO 3448).

Recommended consumption: 1-2 drops / m<sup>3</sup> air.

## Technical information

Operating pressure in p1:	Max. 15 bar at 20° C
Operating medium:	Compressed air
Operating temperature:	-10° C ... + 50° C
Installation positioning:	Vertical
Materials:	Body and Shell: Technopolymer
	Gaskets: Perbunan
	End parts: Die-casted zinc

### L-0

A	
B	130
C	40
D	40
E	13,5
H	11
I	27
J	30
K	9,25
L	D X M3
M	33,5
W	1/8"-1/4"

Family	Port Size	Flow Rate qnN*	Bowl Capacity	Part Number
Mini (0)	G 1/8"	720 l/min	17,5 cm <sup>3</sup>	L-0-1/8
Mini (0)	G 1/4"	720 l/min	17,5 cm <sup>3</sup>	L-0-1/4

\* Measured at p1=10 bar, p2=6 bar, Δp=1 bar according to CETOP RP 50P